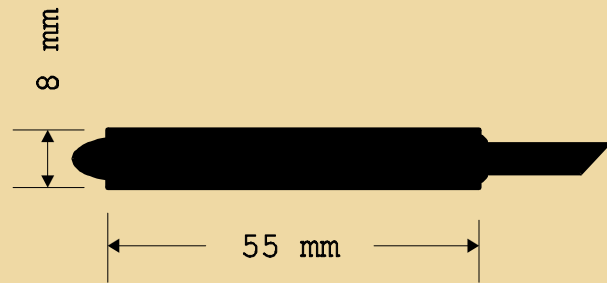


Ambient Temperature Sensor Model 44203

-30 to +50 °C

The Temperature Sensor incorporates the YSI 44203[®] Thermilinear Network consisting of resistors and precise thermistors which produce an output voltage linear with temperature. The Thermistor network is embedded in a stainless steel tube with epoxy resin. The sensor can be used outside the specified temperature range with reduced accuracy.



SPECIFICATIONS:

Temperature Range: -30 to +50 °C
 Tube Material: 316 Stainless Steel
 Size: 8mm dia. x 55mm
 Cable: 4-core screened x 10m

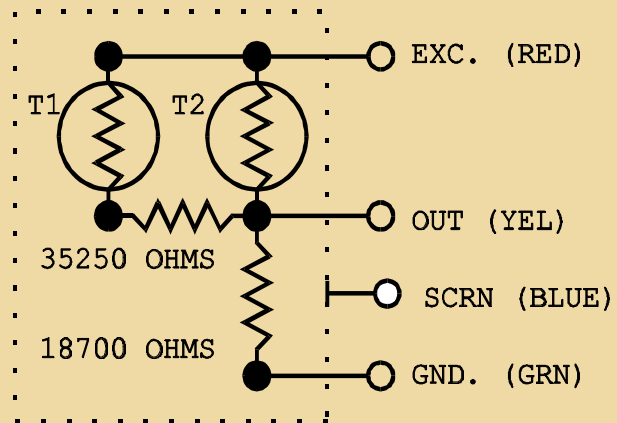
Thermistor Absolute Accuracy and Interchangeability: +/- 0.15 °C

Maximum Uncertainty Due to 0.1% Fixed Resistors:
 +/- 0.12 °C @ -30 °C
 +/- 0.07 °C @ 11 °C
 +/- 0.02 °C @ 50 °C

Ein Max: 3 Volts

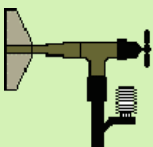
Current @ Ein Max: < 0.1 mA

Sensitivity: 0.0067966 Ein/°C
 Equation: $E_{out} = (0.0067966 E_{in}) T + (0.34893 E_{in})$
 Load Resistance: 10 Megohms Min.



ORDERING INFORMATION:

Model	Description
44203	Ambient Temperature Sensor



Inteltronics
Instrumentation